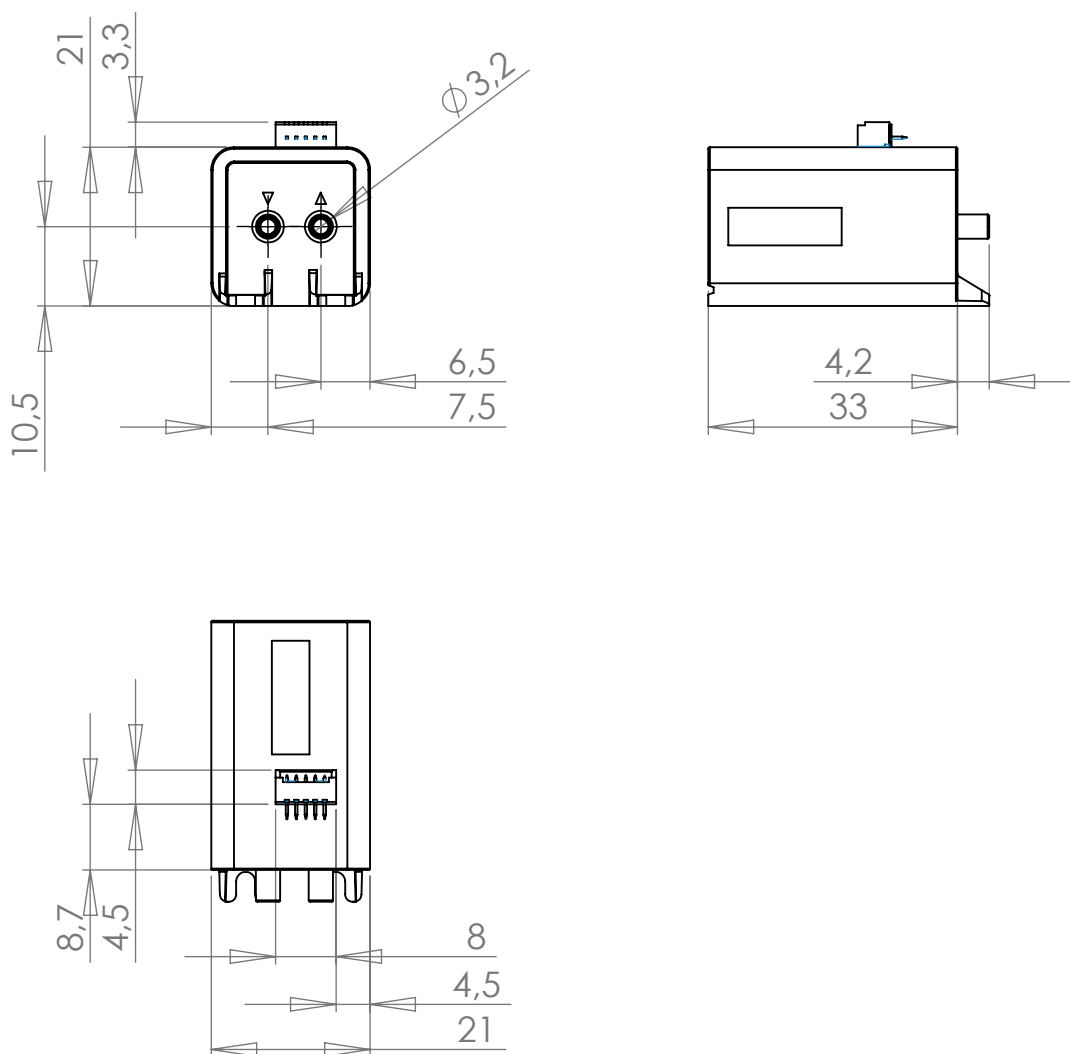


ALL DIMENSIONS ARE IN MM

PUMP MODEL	V200 AND P200 BLACK EDITION
CONNECTION	Flex
DRAWING SCALE	1:1
DIMENSION TOLERANCE	+/- 0,2mm
PUMP WEIGHT	40g +/- 2g
RECOMMENDED CONNECTORS	MOLEX 52610 or 52271
RECOMMENDED TUBE ID	1,6 to 2,8mm (Material dependent)



ALL DIMENSIONS ARE IN MM

PUMP MODEL	V200 AND P200 BLACK EDITION
CONNECTION	3 or 5 wires
DRAWING SCALE	1:1
DIMENSION TOLERANCE	+/- 0,2mm
PUMP WEIGHT	40g +/- 2g
RECOMMENDED CONNECTORS	MOLEX 53047 (picoblade)
RECOMMENDED TUBE ID	1,6 to 2,8mm (Material dependent)